



# GOLDSTRIKE® THROTTLE WING

Parts Included:	1	THROTTLE WING
	1	COGG RING
	1	M3 x 12mm SHCS

## INSTALLATION INSTRUCTIONS:

1. Park on a level surface and shut off the motorcycle. Lift motorcycle onto its center stand if available. Ensure the engine has time to cool before installation.
2. Use a 2.5mm Hex (Allen) Wrench to remove the screw at the end of the Goldstrike Grip. Set aside the screw for reinstallation. Remove the end cap. (FIG.1)
3. Install the Cogg Ring onto the end of the Goldstrike Grip.
4. Install the Throttle Wing with the 3mm screw. Adjust the angle for comfort and tighten. **DO NOT OVER TIGHTEN.** (FIG.2)

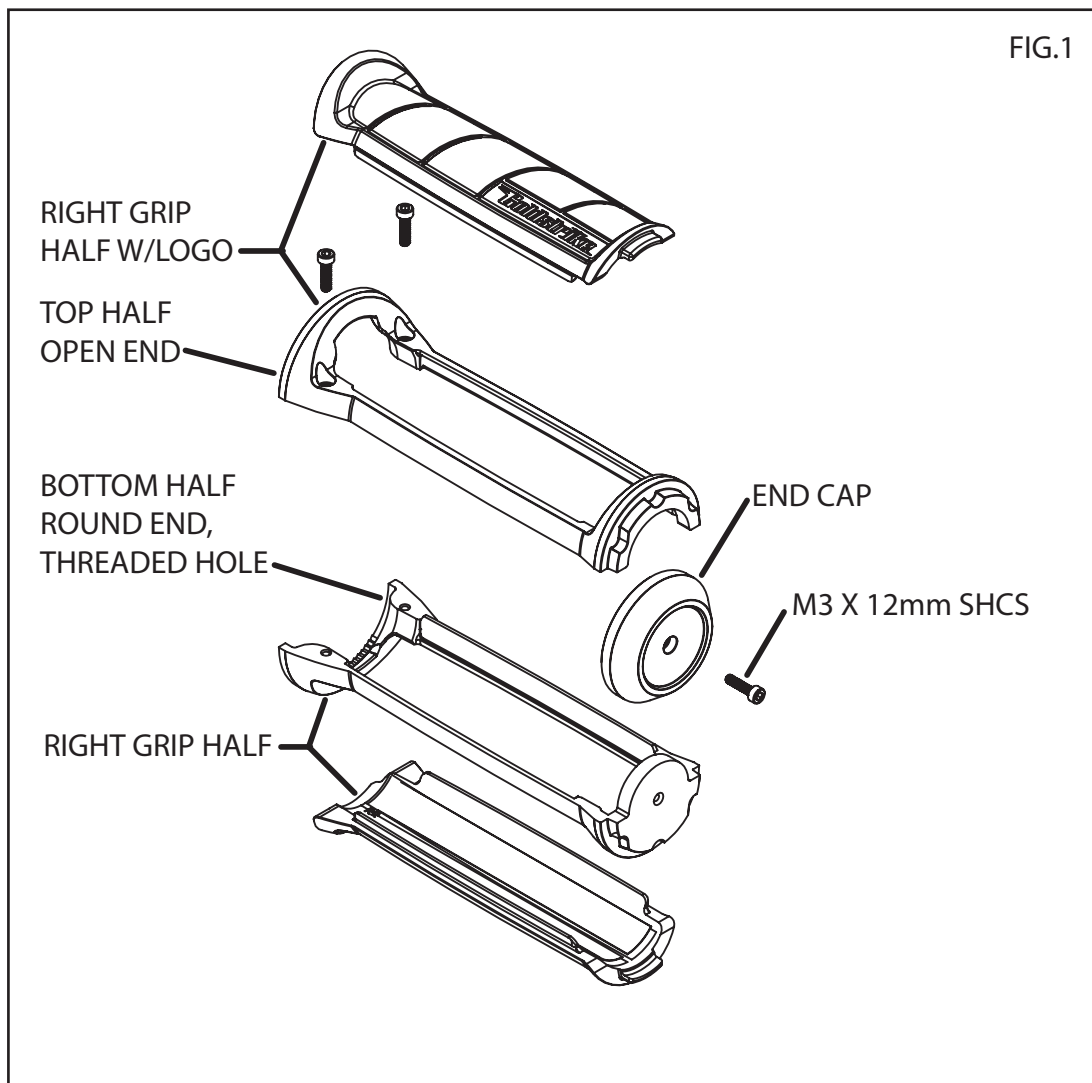


FIG.1

**WARNING:**  
This indication alerts you to the fact that ignoring the contents described herein can result in potential serious injury or death if not followed.

**CAUTION:**  
This indication alerts you to the fact that ignoring the contents described herein can or will result in material damage and/or personal injury.

**ATTENTION:**  
This indication alerts you to the fact if you ignore this detail you will affect the performance or functionality of the product.

All Ciró products are designed for "easy assembly" and/or "plug and play". We recommend a competent mechanic install our products, using standard mechanical procedures to assure a safe and successful installation.

**NOTE:**  
Ciro products are designed and manufactured under very strict quality control. Ciró warrants that products sold to the original purchaser shall be free from any defects in materials and workmanship for a period of 3 (three) years from the date of purchase, and a lifetime warranty against LED failure. Ciró will have no obligation if the customer cannot show proof of purchase. Warranty will not be granted unless the part is properly installed and maintained. Ciró will not be liable for any consequential and incidental damages, including labor, or non-Ciro products. Please visit our website [Ciro3d.com](http://Ciro3d.com) for our complete warranty policy.

