

Copyright © 2013 by Big Bike Parts, Inc. No part of this instruction sheet may be reproduced without the written permission of Big Bike Parts, Inc.

PART NO. 13-208**DUAL PORT USB CHARGER****7/8" AND 1" HANDLEBAR AND PANEL MOUNT**

9/30/2013

TOOLS NEEDED:	PHILLIPS SCREWDRIVER	DRILL (PANEL MOUNT)	1-7/16" BIT (PANEL MOUNT)	
HARDWARE INCLUDED:	1 – USB CHARGER 1 – RUBBER COVER 1 – MOUNTING RING	1 – BACKER NUT 1 – HANDLEBAR MOUNT 1 – 4MM X 25MM SCREW	1 – 15MM X 82MM LONG RUBBER PAD 1 – 15MM X 50MM LONG RUBBER PAD	

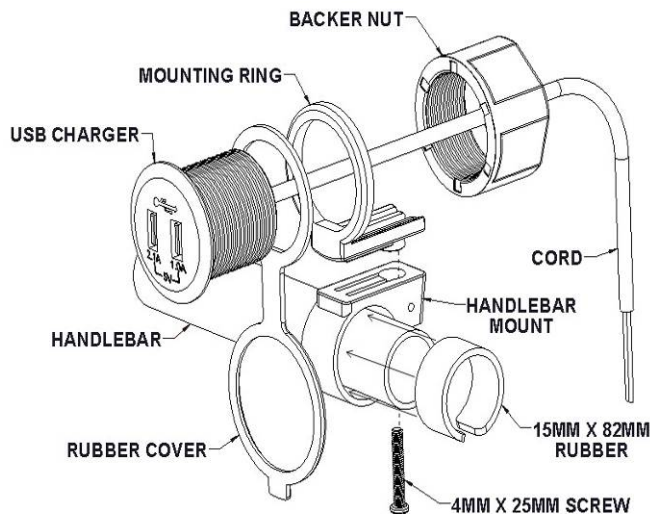
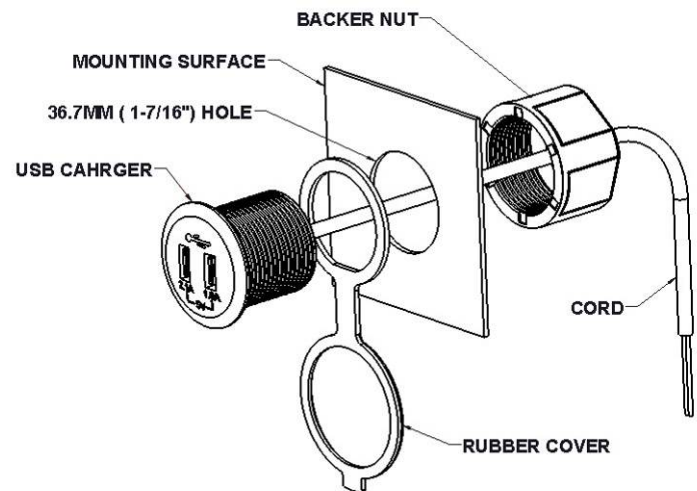
PLEASE READ THROUGH AND UNDERSTAND THESE INSTRUCTIONS BEFORE BEGINNING.

SECTION ONE – HANDLEBAR MOUNT INSTALLATION

1. GUIDE THE CORD FROM THE BACK OF THE USB CHARGER THROUGH THE RUBBER COVER, THE MOUNTING RING AND BACKER NUT. SEE FIG. 1.
2. ALIGN THE FLAT AREA ON THE USB CHARGER, THE RUBBER COVER AND THE MOUNTING RING AND THEN TIGHTEN THE BACKER NUT. *DO NOT USE A WRENCH OR A PLIER ON THE BACKER NUT.*
3. TAKE THE HANDLEBAR MOUNT AND FIND A GOOD LOCATION TO MOUNT IT ON THE HANDLEBARS. PLACE THE MOUNT ON THE HANDLEBAR WITH THE SCREW HOLE TO THE FRONT ON THE BIKE AS SHOWN IN FIG. 1.
4. IF YOU HAVE 1" DIAMETER HANDLEBARS YOU WILL USE THE 15MM X 82MM LONG RUBBER PAD. IF YOU HAVE 7/8" DIAMETER HANDLEBARS YOU WILL USE BOTH THE 82MM LONG AND THE 50 MM LONG RUBBER PADS.
5. WRAP THE RUBBER PAD OR PADS AROUND THE HANDLEBAR IN THE LOCATION YOU WANT THE USB CHARGER. THEN PLACE THE HANDLE MOUNT OVER THE RUBBER PAD OR PADS USING THEM AS FILLER BETWEEN THE HANDLEBAR AND THE MOUNT.
6. PLACE THE USB CHARGER ASSEMBLY IN THE HANDLEBAR MOUNT AND INSTALL THE 4MM X 25MM SCREW FROM THE BOTTOM AS SHOWN IN FIG. 1. ROTATE THE CHARGER TO THE DESIRED POSITION AND TIGHTEN THE SCREW.
7. FEED THE CORD DOWN THE HANDLEBARS AND CONNECT THE RED WIRE TO A 12VDC POWER SOURCE AND THE BLACK WIRE TO A GROUND. *IT IS RECOMMENDED TO CONNECT THE CHARGER TO A KEYPED POWER SOURCE.*

SECTION TWO – PANEL MOUNT INSTALLATION

1. USING A DRILL AND 1-7/16" BIT DRILL A HOLE IN THE PANEL AT THE LOCATION YOU WANT TO MOUNT THE USB CHARGER.
2. GUIDE THE CORD FROM THE BACK OF THE USB CHARGER THROUGH THE RUBBER COVER, THE PANEL AND THE BACKER NUT. SEE FIG. 2
3. ALIGN THE FLAT AREA ON THE USB CHARGER AND THE RUBBER COVER AND THEN TIGHTEN THE BACKER NUT. *DO NOT USE A WRENCH OR A PLIER ON THE BACKER NUT.*
4. CONNECT THE RED WIRE TO A 12VDC POWER SOURCE AND THE BLACK WIRE TO A GROUND. IT IS RECOMMENDED TO CONNECT THE CHARGER TO A KEYPED POWER SOURCE.

**FIG. 1****FIG. 2**

Scan code with
your smartphone
to view video

